

NIMH - TECHNICAL DATA SHEET - MODEL ESP800AAH

产品规格书 (Product Specification)

型号 (Model No.) NR50AA800J 1.2V

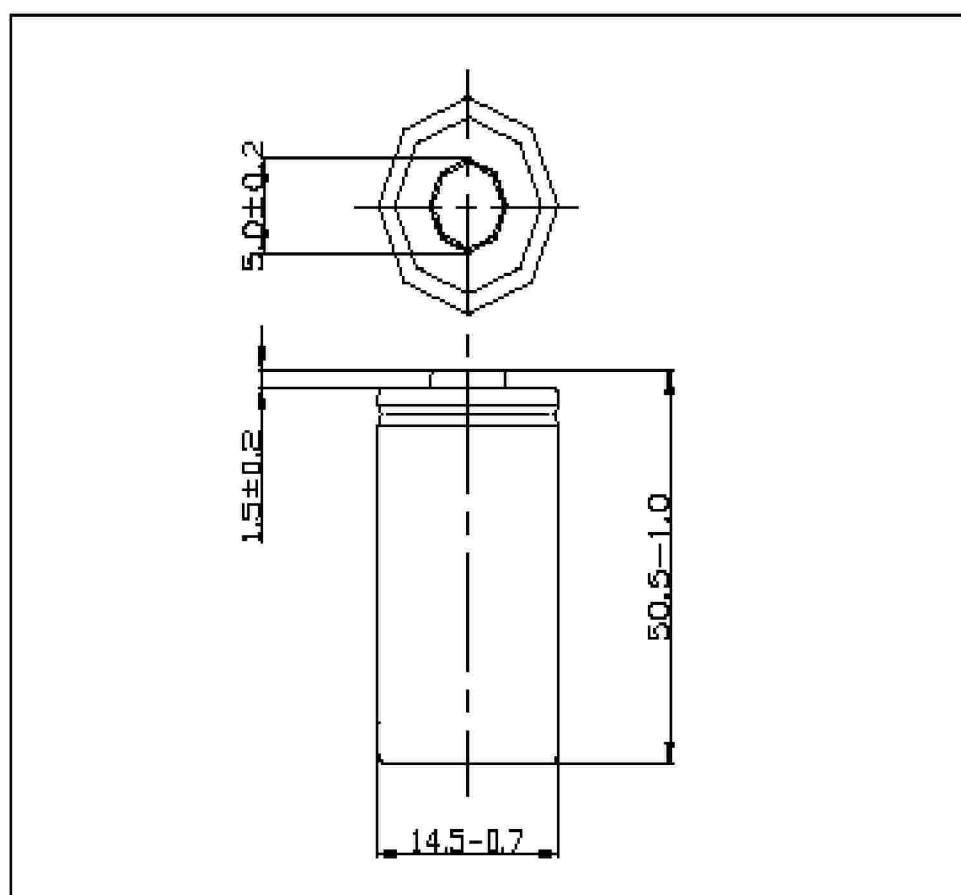
TECHNICAL DATA SHEET

型号(Type) : NR50AA800J

单颗电池规格 Specifications of single cell

标称电压 Nominal voltage		1.2V	
容量 Capacity		0.2C 放电 Discharge	1.0C 放电 Discharge
	最小 Minimum	275min	54min
	典型 Typical	300min	58min
尺寸 Dimensions	直径 Diameter	mm	
	高 Height	14.5 ^{-0.7}	
大约重量 Weight(Approximately)		克 gram	
		17.5	
电阻 Internal Impedance At 1000 Hz		35mΩ(Max) (充电后 After Charge)	
充电 Charge	标准 Standard	80mA(0.1C)×15hrs	
	快速 Rapid	800mA(1.0C)×1.1hrs	
环境温度 Ambient temperature	充电 Charge	标准 standard	0°C to 45°C
		快速 Rapid	0°C to 40°C
	放电 Discharge	-20°C to 50°C	
	贮藏 Storage	-20°C to 40°C	

单颗电池尺寸包括 PVC (Dimensions with tube)



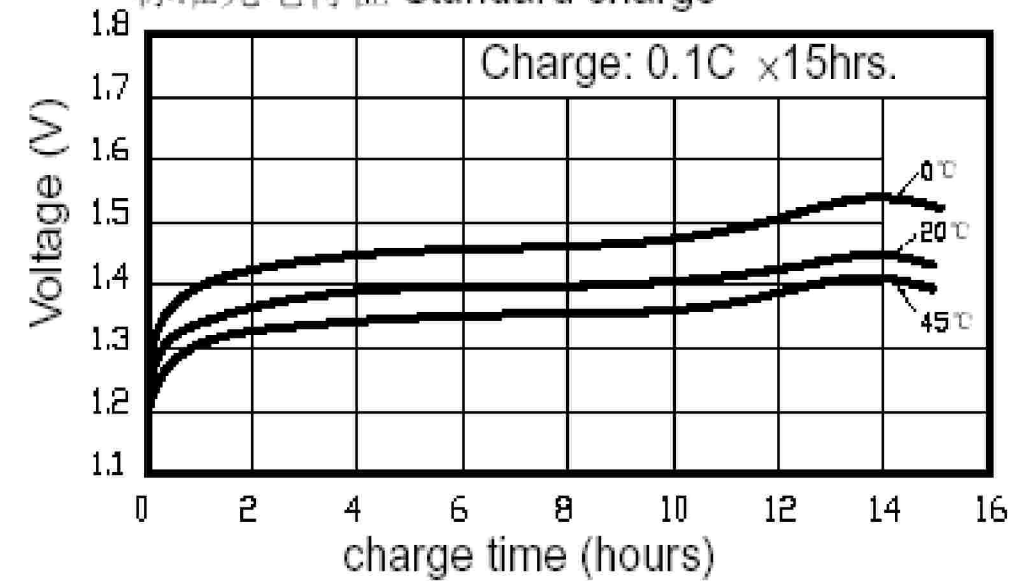
备注 Note:

- 标称容量是指 20°C 时 0.2C 放电容量
Nominal capacity, rated at 0.2C 20°C.
- 容量只作为参考
Average capacity, for reference only.
- 重量和内阻也作为参考
Weight and internal impedance are For reference.
- 寿命测试依照 IEC 标准
Standard according as IEC of test cycle life.

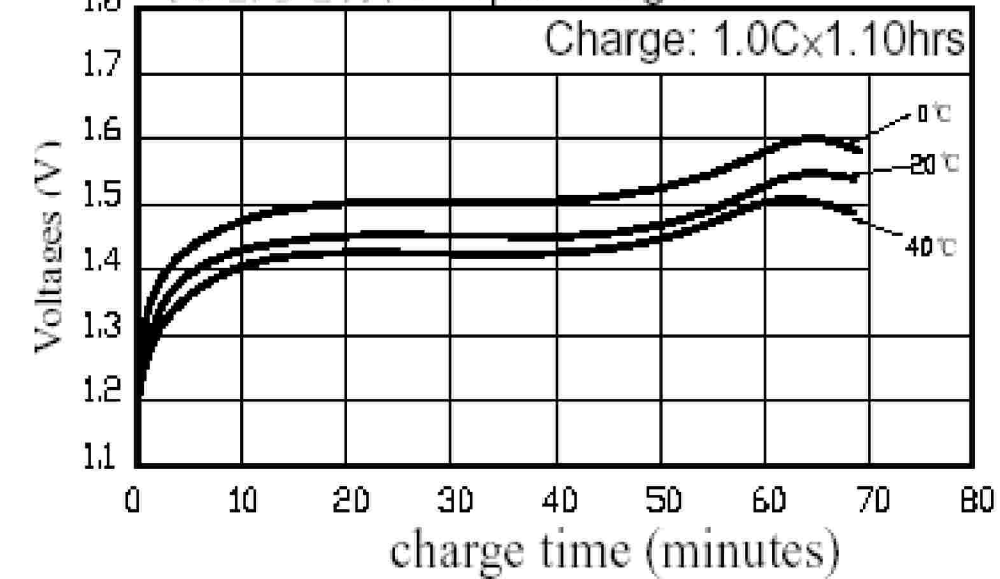
制造商保留在没有预先通知的情况下改变和修正设计及规格说明书的权力

典型特征 Typical characteristics

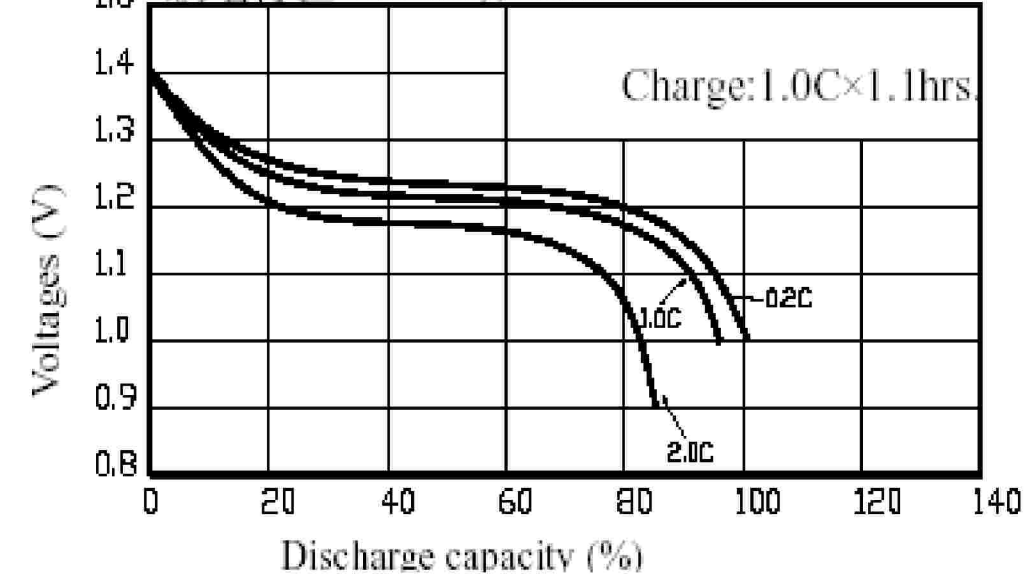
标准充电特征 Standard charge



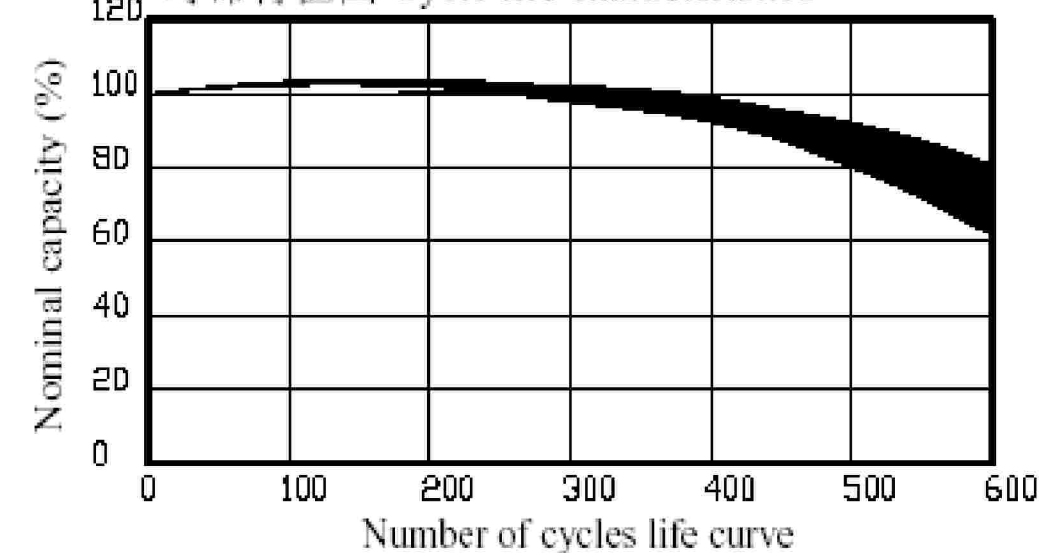
快速充电特征 Rapid charge



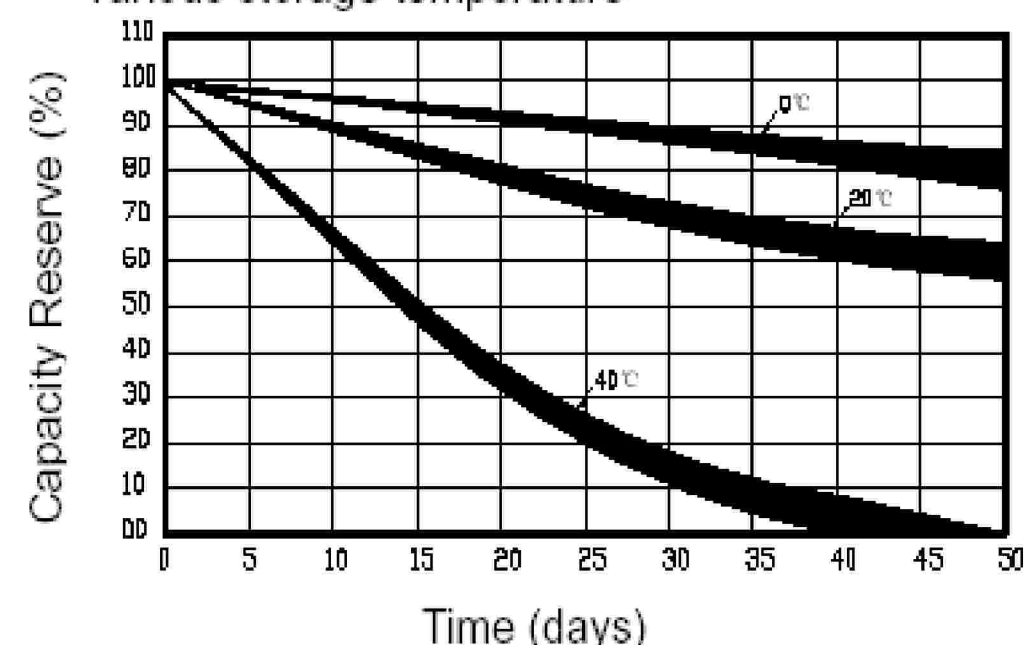
放电特征 Discharge characteristics



寿命特征图 Cycle life characteristics



Ni-MH 圆柱型电池在不同的温度荷电保持曲线图
Charge retention curves of Ni-MH cylindrical cell At various storage temperature



ESP800AAH

CELLS MANUFACTURED TO GB/T19001:2000 - ISO9000/9001: 2000 STANDARD & CONFORMITY
Cell & Battery specifications are subject to modifications without prior notice. All the above information is generally descriptive and is not intended as a guarantee or warranty.

ESP SPECIAL BATTERIES LTD
21A Spencefield Lane, 565 Uppingham Rd
Leicester. LE5 6PT Leicester. LE5 6QA
England. England.

Tel 0116 2413796
Fax 0116 2416519
Email - info@espspecialbatteries.co.uk
www.espspecialbatteries.co.uk